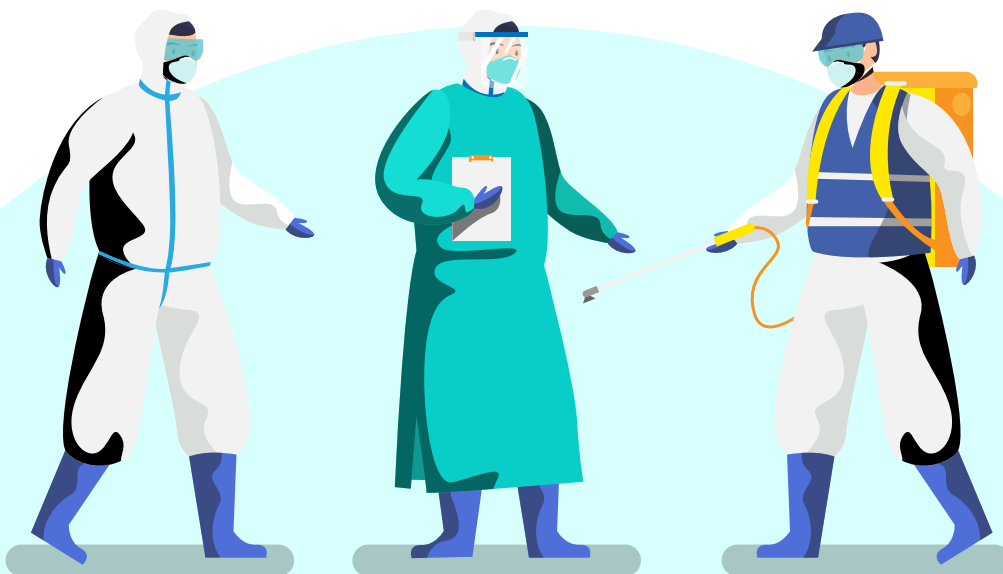




KleiderFORT
MEDICAL SOLUTIONS

Personal Protective Wear

Product Catalogue

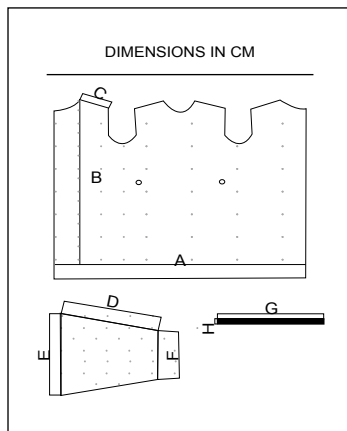


<https://www.kleiderfort.com/medical-solutions>

SS

European equivalent
High performance
EN 13795, for Gowns

- *Less critical areas $\geq 20\text{cm}$
- * Do not use opened packages
- * For single use only
- * Latex free



AAMI
Isolation
Gown



Size **L**

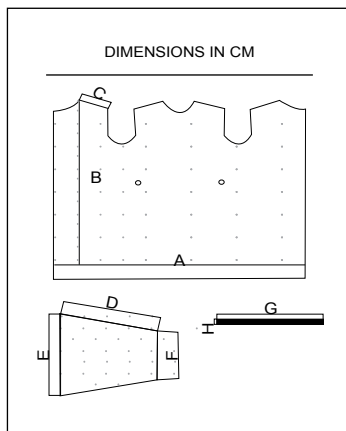
	S	M	L	XL	XXL
A	145,0	150,0	155,0	160,0	160,0
B	100,0	105,0	110,0	115,0	120,0
C	19,0	20,0	21,0	22,0	23,5
D	56,0	56,0	57,0	58,0	64,0
E	54,0	54,0	56,0	56,0	60,0
F	32,0	32,0	31,0	32,0	36,0
G	60,0	60,0	60,0	60,0	60,0
H	5,0	5,0	5,0	5,0	5,0

COMPOSITION	SS
FABRIC WEIGHT	40 GR +/- 5grm
COLOR	White- Blue
SIZE EU	S M L XL 2XL
MADE IN	Turkey
CARE INSTRUCTION	Single use
PRODUCT NAME	Single use patients gown LEVEL1-2
MANUFACTURING DATE	September / 2020

SMS

European equivalent
High performance
EN 13795, for Gowns

- * Less critical areas $\geq 20\text{cm}$
- * Do not use opened packages
- * For single use only
- * Latex free



Size **L**

	S	M	L	XL	XXL
A	145,0	150,0	155,0	160,0	160,0
B	100,0	105,0	110,0	115,0	120,0
C	19,0	20,0	21,0	22,0	23,5
D	56,0	56,0	57,0	58,0	64,0
E	54,0	54,0	56,0	56,0	60,0
F	32,0	32,0	31,0	32,0	36,0
G	60,0	60,0	60,0	60,0	60,0
H	5,0	5,0	5,0	5,0	5,0

**AAMI
Isolation
Gown**

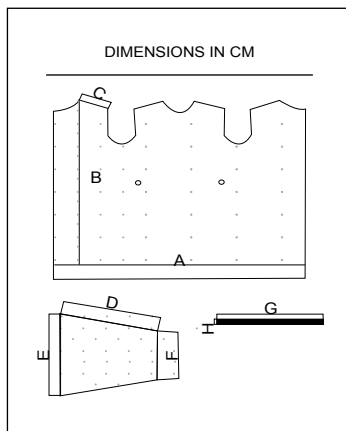


COMPOSITION	SMS
FABRIC WEIGHT	40 GR+/-5grm
COLOR	White- Blue
SIZE EU	S M L XL 2XL
MADE IN	Turkey
CARE INSTRUCTION	Single use
PRODUCT NAME	Single use patients gown LEVEL2
MANUFACTURING DATE	September / 2020

SMS

European equivalent
High performance
EN 13795, for Gowns

- * Less critical areas $\geq 20\text{cm}$
- * Do not use opened packages
- * For single use only
- * Latex free



Size **L**

	S	M	L	XL	XXL
A	145,0	150,0	155,0	160,0	160,0
B	100,0	105,0	110,0	115,0	120,0
C	19,0	20,0	21,0	22,0	23,5
D	56,0	56,0	57,0	58,0	64,0
E	54,0	54,0	56,0	56,0	60,0
F	32,0	32,0	31,0	32,0	36,0
G	60,0	60,0	60,0	60,0	60,0
H	5,0	5,0	5,0	5,0	5,0

AAMI
Isolation
Gown

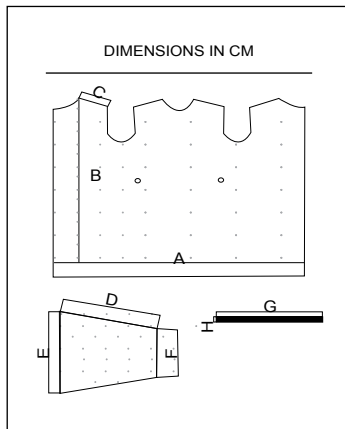


COMPOSITION	SMS
FABRIC WEIGHT	45 GSM
COLOR	White- Blue
SIZE EU	S M L XL 2XL
MADE IN	Turkey
CARE INSTRUCTION	Single use
PRODUCT NAME	Single use patients gown LEVEL2
MANUFACTURING DATE	September / 2020

Level 2

European equivalent
High performance
EN 13795, for Gowns

- *Less critical areas $\geq 20\text{cm}$
- * Do not use opened packages
- * For single use only
- * Latex free



Size **L**

	S	M	L	XL	XXL
A	145,0	150,0	155,0	160,0	160,0
B	100,0	105,0	110,0	115,0	120,0
C	19,0	20,0	21,0	22,0	23,5
D	56,0	56,0	57,0	58,0	64,0
E	54,0	54,0	56,0	56,0	60,0
F	32,0	32,0	31,0	32,0	36,0
G	60,0	60,0	60,0	60,0	60,0
H	5,0	5,0	5,0	5,0	5,0

**AAMI
Isolation
Gown**

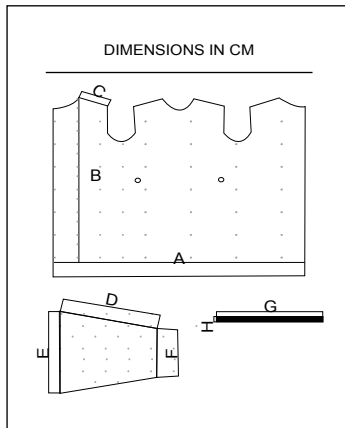


COMPOSITION	Level 2 + PP + PE Laminated
FABRIC WEIGHT	40 GR+/-5grm
COLOR	White- Blue
SIZE EU	S M L XL 2XL
MADE IN	Turkey
CARE INSTRUCTION	Single use
PRODUCT NAME	Single use patients gown LEVEL2
MANUFACTURING DATE	September / 2020

Level 3

European equivalent
 High performance
 EN 13795, for Gowns
 EN 20811 - Hidrostatic pressure

- * Less critical areas $\geq 20\text{cm}$
- * Do not use opened packages
- * For single use only
- * Latex free



AAMI Isolation Gown



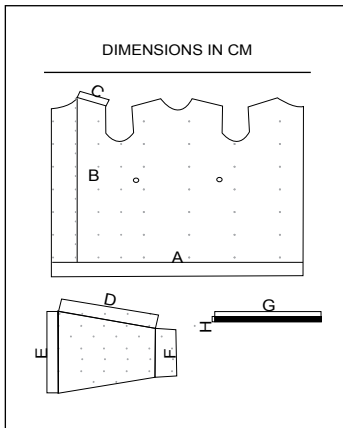
Size **L**

	S	M	L	XL	XXL
A	145,0	150,0	155,0	160,0	160,0
B	100,0	105,0	110,0	115,0	120,0
C	19,0	20,0	21,0	22,0	23,5
D	56,0	56,0	57,0	58,0	64,0
E	54,0	54,0	56,0	56,0	60,0
F	32,0	32,0	31,0	32,0	36,0
G	60,0	60,0	60,0	60,0	60,0
H	5,0	5,0	5,0	5,0	5,0

COMPOSITION	25 gm. Spunbond 25 gm. polietilen laminasyon
FABRIC WEIGHT	50 gm. +/- 5 gm.
COLOR	White- Blue
SIZE EU	S M L XL 2XL
MADE IN	Turkey
CARE INSTRUCTION	Single use
PRODUCT NAME	Single use patients gown LEVEL3
MANUFACTURING DATE	September / 2020

Level 3

- European equivalent
- High performance
- EN 13795, for Gowns
- EN 20811 - Hidrostatic pressure
- *Less critical areas $\geq 20\text{cm}$
- * Do not use opened packages
- * For single use only
- * Latex free



Size **L**

	S	M	L	XL	XXL
A	145,0	150,0	155,0	160,0	160,0
B	100,0	105,0	110,0	115,0	120,0
C	19,0	20,0	21,0	22,0	23,5
D	56,0	56,0	57,0	58,0	64,0
E	54,0	54,0	56,0	56,0	60,0
F	32,0	32,0	31,0	32,0	36,0
G	60,0	60,0	60,0	60,0	60,0
H	5,0	5,0	5,0	5,0	5,0

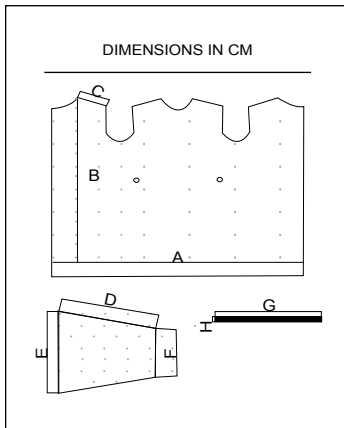
AAMI
Isolation
Gown



COMPOSITION	SSMMS
FABRIC WEIGHT	55 GR+/-5grm
COLOR	White- Blue
SIZE EU	S M L XL 2XL
MADE IN	Turkey
CARE INSTRUCTION	Single use
PRODUCT NAME	Single use patients gown
MANUFACTURING DATE	September / 2020

Level 4

- Excellent sewing quality
- European equivalent
- High performance
- EN 13795, for Gowns
- EN 20811 - Hidrostatic pressure
 - *Less critical areas $\geq 20\text{cm}$
 - * Do not use opened packages
 - * For single use only
 - * Latex free



Size L

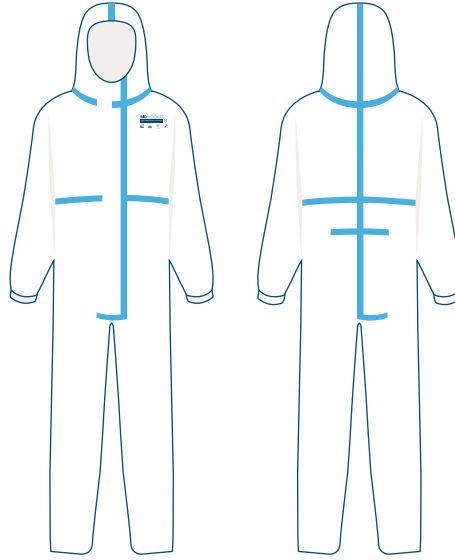
	S	M	L	XL	XXL
A	145,0	150,0	155,0	160,0	160,0
B	100,0	105,0	110,0	115,0	120,0
C	19,0	20,0	21,0	22,0	23,5
D	56,0	56,0	57,0	58,0	64,0
E	54,0	54,0	56,0	56,0	60,0
F	32,0	32,0	31,0	32,0	36,0
G	60,0	60,0	60,0	60,0	60,0
H	5,0	5,0	5,0	5,0	5,0

AAMI
Isolation
Gown



COMPOSITION	SSMMS
FABRIC WEIGHT	55 GR+/-5grm
COLOR	White- Blue
SIZE EU	S M L XL 2XL
MADE IN	Turkey
CARE INSTRUCTION	Single use
PRODUCT NAME	Single use patients gown
MANUFACTURING DATE	September / 2020

ROYAL SHIELD COVERALL - Type 3-B/4-B



TYPE 3-B



EN 14605

Provides protection
against liquid leaks
Sıvı sızırdımlarına karşı
koruma sağlar

TYPE 4-B



EN 14605

Provides protection
against spray leaks
Sprey sızırdımlarına karşı
koruma sağlar



EN 14126:2003+AC:2004

Protective clothing
against infective agents
Patojen organizmalara
karşı koruma



UNIVERSAL

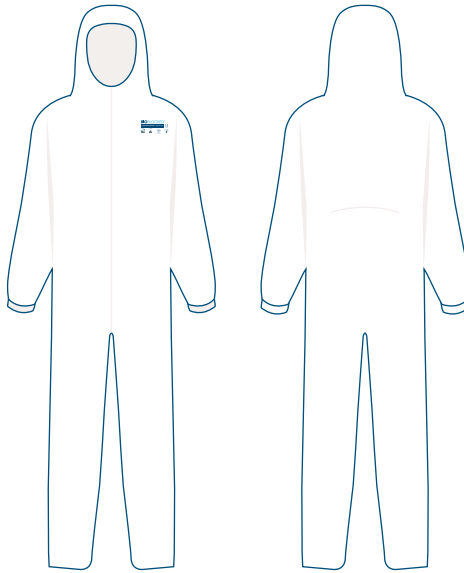
CERTIFICATION
EN 14126/AC
EN ISO 13982-1/A1
EN 13034-A1
EN 1149-5

ISO 22716:2007
ISO 9001:2015
ISO 13485:2016
OHSAS 18001:2007
ISO 37001:2016
ISO 26000:-2010-SA8000
ISO 14001:2015



**Protective
Clothing
Category III**

Coverall - Type 5/6



EN ISO 13982-1:2004+A1:2010
 Bescherming tegen vaste
 chemische deeltjes
 Protection contre les particules
 chimiques solides
 Protection against solid
 chemical particles



EN 13034:2005+A1:2009
 Beschermende kleding tegen
 vloeibare chemicaliën
 Vêtements de protection contre les
 produits chimiques liquides
 Protective clothing against
 liquid chemicals



EN 1149-5:2018
 Beschermende kleding met
 antistatische eigenschappen
 Vêtements de protection
 aux propriétés antistatiques
 Protective clothing with
 antistatic properties



EN 14126:2003+AC:2004
 Beschermende kleding tegen
 infectieuze agentia
 Vêtements de protection contre les
 agents infectieux
 Protective clothing against
 infective agents

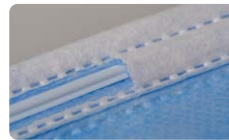
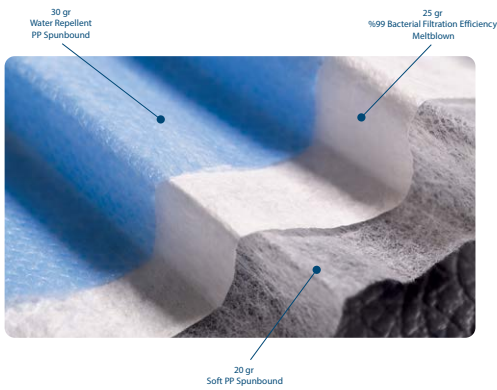
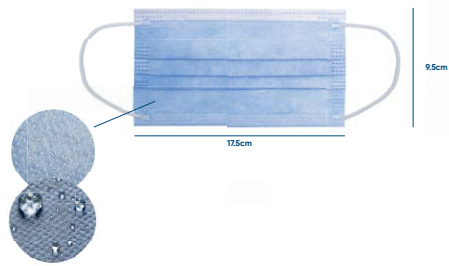


ISO 22716:2007
 ISO 9001:2015
 ISO 13485:2016
 OHSAS 18001:2007
 ISO 37001:2016
 ISO 26000:-2010-SA8000
 ISO 14001:2015



**Protective
 Clothing
 Category III**

TYPE II R



Integrated Nose Clamp

Soft Elastic Band



GENERAL CONSTRUCTION OF MEDICAL FACE MASKS

	Material/Fabric	Comment
Outer layer	30 gr Water Repellent PP Spunbound	The outer layer is usually stiffer and is the indication of the outer layer. However, the color difference has no function other than indicating outer level.
Middle layer	25 gr, %99 Bacterial Filtration Efficiency, Meltblown	The middle layer is fluffy with a high fibre density to obtain a good filter effect, the incorporation of hydrophilic fibers improve the absorbency of droplets.
Inner layer	20 gr Soft PP Spunbound	The inner layer is soft and without chemical treatment (finishing) to avoid skin irritation.



Kleiderfort (Private) Limited.
528, Kandy Road, Dalugama, Sri Lanka 11600

www.kleiderfort.com/medical-solutions
medical@kleiderfort.com
Tel: +94 112984884

Disclaimer: ALL PICTURES SHOWN ARE FOR ILLUSTRATION PURPOSE ONLY. ACTUAL PRODUCT MAY VARY.